

# PRH8D38



## FEATURES 特点

- \* Excellent solderability and high heat resistance  
良好的可焊性和高耐热性

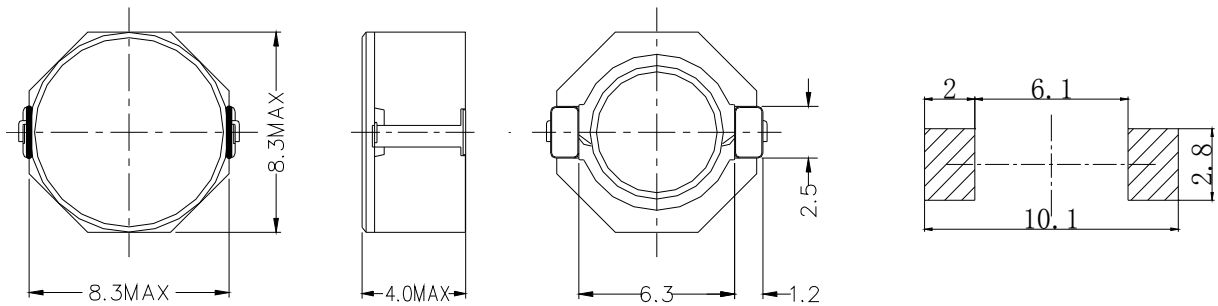
## APPLICATION 用途

- \* DC / DC转换器

## MEASURING FREQUENCY 测试频率

- \* 100KHz 0.3V

## Shapes And Dimensions 外形及尺寸示意图



## Electrical Characteristics 电气性能

Type 型號	Indicate 表示	Inductance 電感值	D.C.R(Max) 直流電阻(m )	Rated Current(Max) 額定電流(A)
<b>PRH8D3 8-1R8</b>	1R8	1.8 $\mu$ H $\pm$ 30%	15.6 (12.5)	7.00
<b>PRH8D3 8-2R5</b>	2R5	2.5 $\mu$ H $\pm$ 30%	17 (14)	6.50
<b>PRH8D3 8-3R5</b>	3R5	3.5 $\mu$ H $\pm$ 30%	23 (19)	5.00
<b>PRH8D3 8-4R7</b>	4R7	4.7 $\mu$ H $\pm$ 30%	28 (23)	4.60
<b>PRH8D3 8-6R0</b>	6R0	6.0 $\mu$ H $\pm$ 30%	30 (25)	4.20
<b>PRH8D3 8-100</b>	100	10 $\mu$ H $\pm$ 30%	46 (38)	3.00
<b>PRH8D3 8-150</b>	150	15 $\mu$ H $\pm$ 30%	64 (53)	2.75
<b>PRH8D3 8-220</b>	220	22 $\mu$ H $\pm$ 30%	101 (84)	2.30
<b>PRH8D3 8-330</b>	330	33 $\mu$ H $\pm$ 30%	150 (125)	1.75
<b>PRH8D3 8-470</b>	470	47 $\mu$ H $\pm$ 30%	182 (151)	1.52
<b>PRH8D3 8-680</b>	680	68 $\mu$ H $\pm$ 30%	278 (232)	1.30
<b>PRH8D3 8-101</b>	101	100 $\mu$ H $\pm$ 30%	410 (328)	1.05

\* SPQ:1000PCS/REEL